

SN54265, SN74265 QUADRUPLE COMPLEMENTARY-OUTPUT ELEMENTS

SDLS088

DECEMBER 1983 — REVISED MARCH 1988

FOR SYMMETRICAL GENERATION OF COMPLEMENTARY TTL SIGNALS

- Switching Time Skew of the Complementary Outputs Is Typically 0.5 ns . . . Not More than 3 ns at Rated Loading
- Full Fan-Out to 20 High-Level and 10 Low-Level 54/74 Loads
- Active Pull-Down Provides Square Transfer Characteristics

description

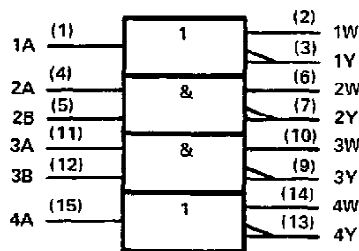
The SN54265 and SN74265 circuits feature complementary outputs from each logic element, which have virtually symmetrical switching time delays from the triggering input. They are designed specifically for use in applications such as:

- Symmetrical clock/clock generators
- Complementary input circuit for decoders and code converters
- Switch debouncing
- Differential line driver

Examples of these four functions are illustrated in the typical application data.

The SN54265 is characterized for operation over the full military temperature range of -55°C to 125°C ; the SN74265 is characterized for operation from 0°C to 70°C .

logic symbol†



†This symbol is in accordance with ANSI/IEEE Std. 91-1984 and IEC Publication 617-12.

logic diagrams

ELEMENTS 1 and 4



ELEMENTS 2 and 3



positive logic

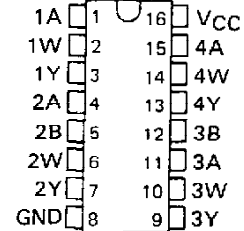
$$Y = \bar{A} \quad W = A$$

$$Y = \overline{AB} \text{ or } Y = \bar{A} + \bar{B}$$

$$W = AB \text{ or } W = \bar{A} + \bar{B}$$

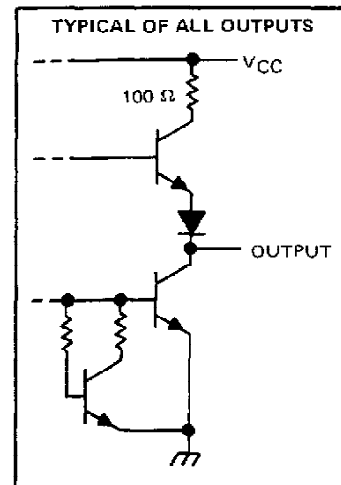
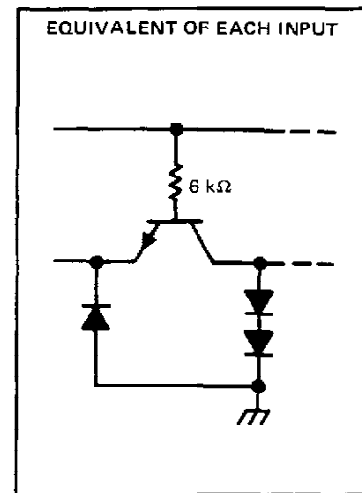
SN54265 . . . J OR W PACKAGE
SN74265 . . . N PACKAGE

(TOP VIEW)



NC No internal connection

schematics of inputs and outputs



PRODUCTION DATA documents contain information current as of publication date. Products conform to specifications per the terms of Texas Instruments standard warranty. Production processing does not necessarily include testing of all parameters.

**TEXAS
INSTRUMENTS**

POST OFFICE BOX 855012 • DALLAS, TEXAS 75265

SN54265, SN74265 QUADRUPLE COMPLEMENTARY-OUTPUT ELEMENTS

absolute maximum ratings over operating free-air temperature range (unless otherwise noted)

Supply voltage, V_{CC} (see Note 1)	7 V
Input voltage	5.5 V
Operating free-air temperature range: SN54265	-55°C to 125°C
SN74265	0°C to 70°C
Storage temperature range	-65°C to 150°C

NOTE 1. Voltage values are with respect to network ground terminal.

recommended operating conditions

	SN54265			SN74265			UNIT
	MIN	NOM	MAX	MIN	NOM	MAX	
Supply voltage, V_{CC}	4.5	5	5.5	4.75	5	5.25	V
High-level output current, I_{OH}			-800			-800	μA
Low-level output current, I_{OL}			16			16	mA
Operating free-air temperature, T_A	-55		125	0		70	$^{\circ}\text{C}$

electrical characteristics over recommended operating free-air temperature range (unless otherwise noted)

PARAMETER	TEST CONDITIONS [†]	MIN	TYP [‡]	MAX	UNIT	
V_{IH} High-level input voltage		2			V	
V_{IL} Low-level input voltage				0.8	V	
V_{IK} Input clamp voltage	$V_{CC} = \text{MIN}$, $I_I = -12 \text{ mA}$			-1.5	V	
V_{OH} High-level output voltage	$V_{CC} = \text{MIN}$, $I_{OH} = -800 \mu\text{A}$	2.4	3.4		V	
V_{OL} Low-level output voltage	$V_{CC} = \text{MIN}$, $I_{OL} = 16 \text{ mA}$		0.2	0.4	V	
I_I Input current at maximum input voltage	$V_{CC} = \text{MAX}$, $V_I = 5.5 \text{ V}$			1	mA	
I_{IH} High-level input current	$V_{CC} = \text{MAX}$, $V_I = 2.4 \text{ V}$			40	μA	
I_{IL} Low-level input current	$V_{CC} = \text{MAX}$, $V_I = 0.4 \text{ V}$			-1.6	mA	
I_{OS} Short-circuit output current [§]	$V_{CC} = \text{MAX}$.	SN54265		-20	-57	mA
		SN74265		-18	-57	
I_{CC} Supply current	$V_{CC} = \text{MAX}$, See Note 2		25	34	mA	

[†] For conditions shown as MIN or MAX, use the appropriate value specified under recommended operating conditions.

[‡] All typical values are at $V_{CC} = 5 \text{ V}$, $T_A = 25^{\circ}\text{C}$.

[§] Not more than one output should be shorted at a time.

NOTE 2: I_{CC} is measured with all outputs open and all inputs grounded.

switching characteristics, $V_{CC} = 5 \text{ V}$, $T_A = 25^{\circ}\text{C}$

PARAMETER [¶]	FROM (INPUT)	TO (OUTPUT)	TEST CONDITIONS	MIN	TYP	MAX	UNIT
$t_{PLH}(W)$	A or B	W	$R_L = 400 \Omega$, $C_L = 15 \text{ pF}$, See Note 3		11.6	18	ns
$t_{PHL}(Y)$	(as applicable)	Y			11.3	18	
$t_{PLH}(W)$	A or B	W			9.8	18	ns
$t_{PHL}(Y)$	(as applicable)	Y			10.2	18	
$t_{PLH}(W) - t_{PHL}(Y)$	A or B	W with respect to Y			+0.3	± 3	ns
$t_{PHL}(W) - t_{PLH}(Y)$	(as applicable)				-0.4	± 3	

t_{PLH} = propagation delay time, low-to-high-level output

t_{PHL} = propagation delay time, high-to-low-level output

$t_{PXX}(W) - t_{PXX}(Y)$ = Difference in indicated propagation delay times at the W and Y outputs, respectively.

NOTE 3: Load circuits and voltage waveforms are shown in Section 1.

TEXAS
INSTRUMENTS

POST OFFICE BOX 655012 • DALLAS, TEXAS 75265

SN54265, SN74265
QUADRUPLE COMPLEMENTARY-OUTPUT ELEMENTS

TYPICAL CHARACTERISTICS†

PROPAGATION DELAY TIME DIFFERENCE
vs
FREE-AIR TEMPERATURE

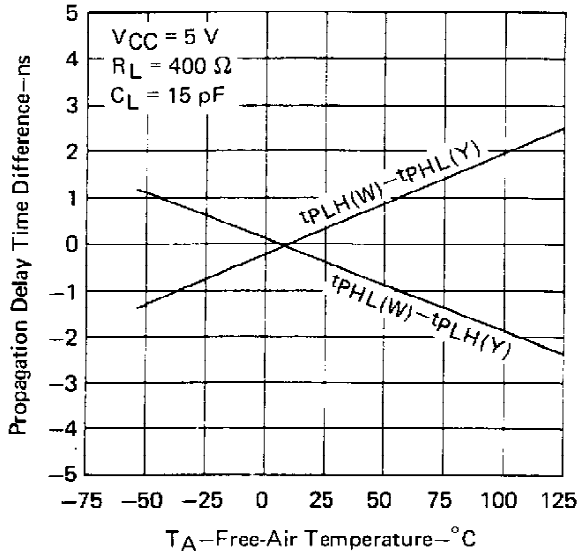


FIGURE 1

PROPAGATION DELAY TIME DIFFERENCE
vs
SUPPLY VOLTAGE

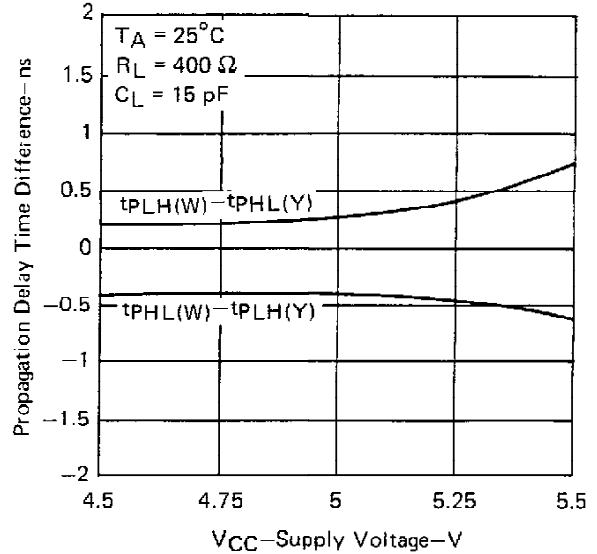


FIGURE 2

PROPAGATION DELAY TIME DIFFERENCE vs LOAD CAPACITANCE

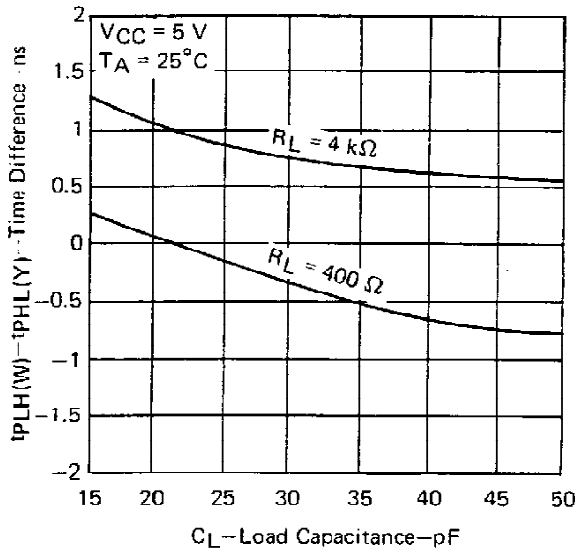


FIGURE 3

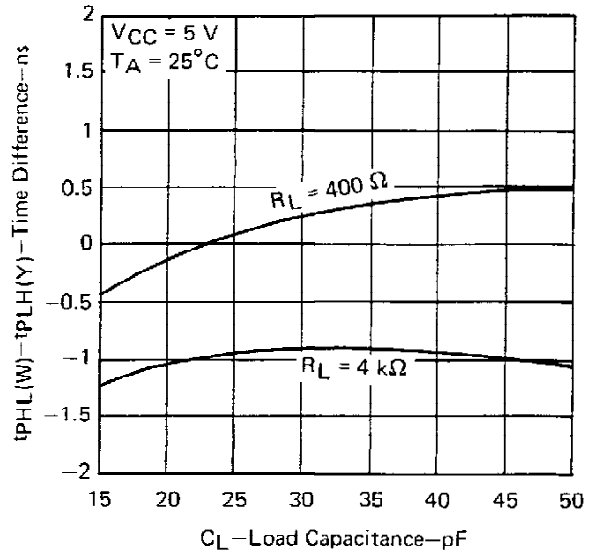


FIGURE 4

† Data for temperatures below 0°C and above 70°C and for supply voltages below 4.75 V and above 5.25 V are applicable for SN54265 only.

SN54265, SN74265 QUADRUPLE COMPLEMENTARY-OUTPUT ELEMENTS

TYPICAL APPLICATION DATA

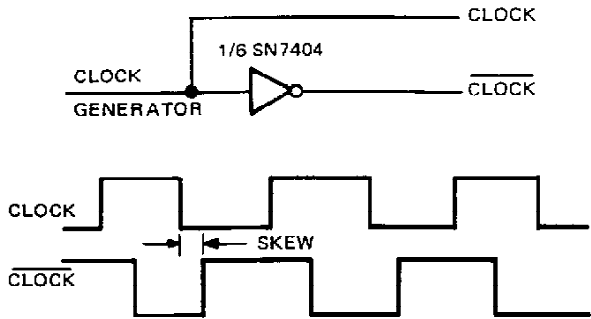


FIGURE A – TYPICAL CLOCK/ $\overline{\text{CLOCK}}$ GENERATOR CIRCUIT

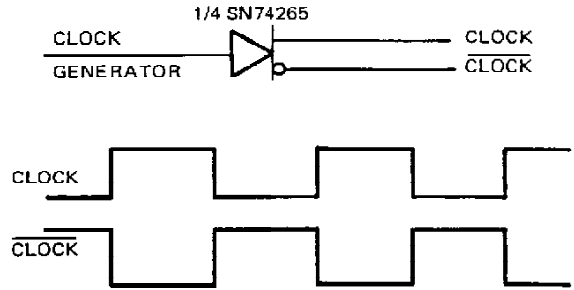


FIGURE B – SKEWLESS CLOCK/ $\overline{\text{CLOCK}}$ GENERATOR CIRCUIT

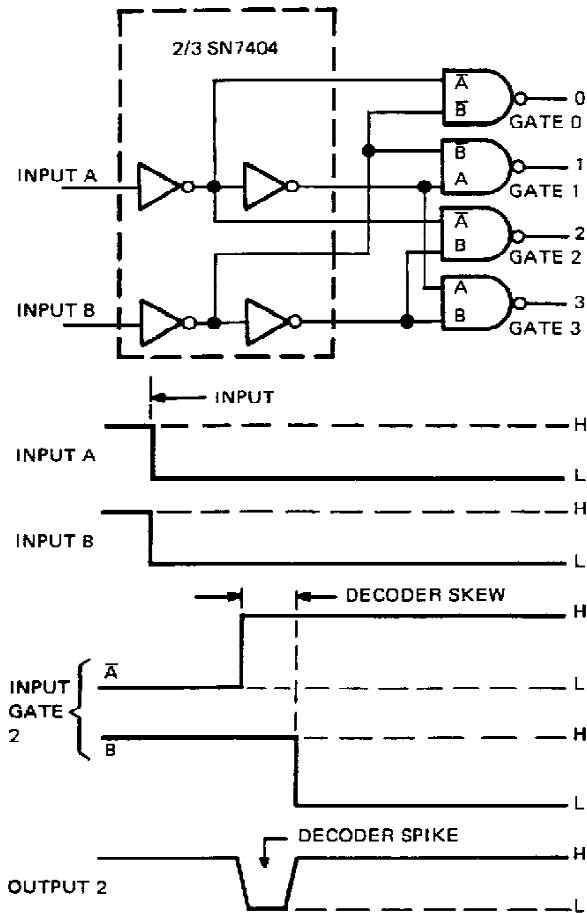


FIGURE C – TYPICAL DECODER/CODE CONVERTER

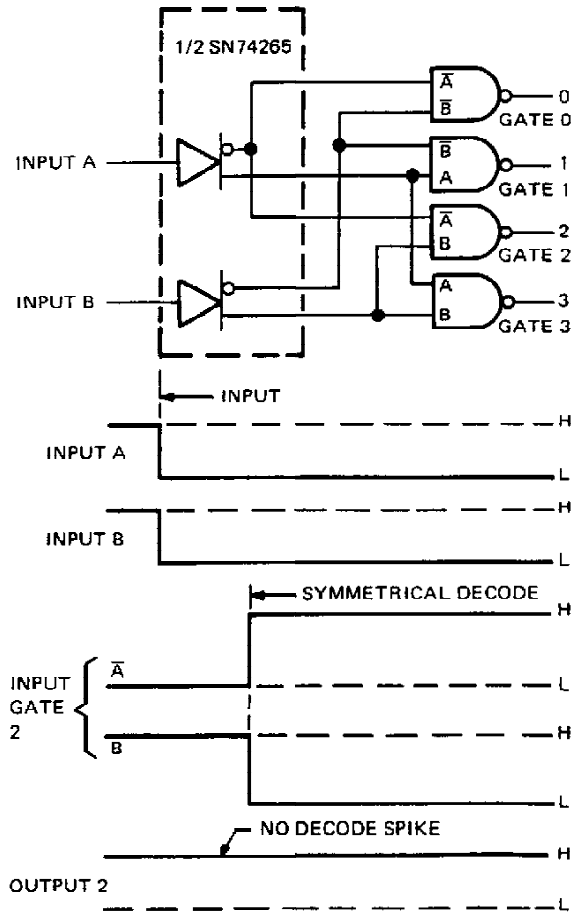


FIGURE D – SYMMETRICAL DECODER/CODE CONVERTER

SN54265, SN74265
 QUADRUPLE COMPLEMENTARY-OUTPUT ELEMENTS

TYPICAL APPLICATION DATA

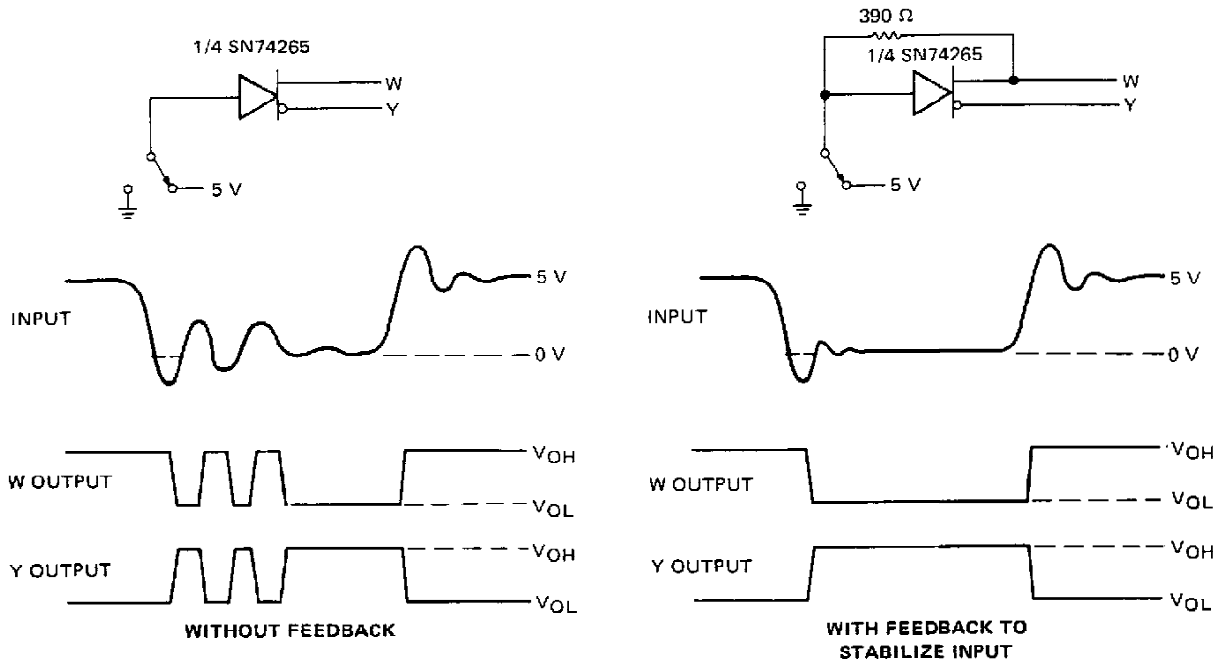


FIGURE E – SWITCH DEBOUNCER

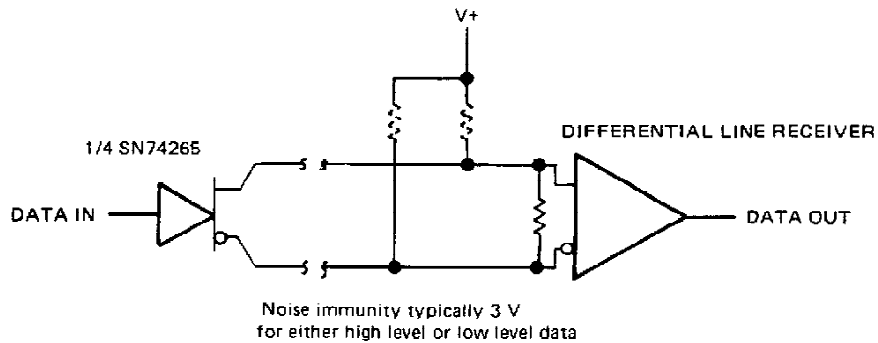


FIGURE F – DIFFERENTIAL LINE DRIVER

IMPORTANT NOTICE

Texas Instruments (TI) reserves the right to make changes to its products or to discontinue any semiconductor product or service without notice, and advises its customers to obtain the latest version of relevant information to verify, before placing orders, that the information being relied on is current.

TI warrants performance of its semiconductor products and related software to the specifications applicable at the time of sale in accordance with TI's standard warranty. Testing and other quality control techniques are utilized to the extent TI deems necessary to support this warranty. Specific testing of all parameters of each device is not necessarily performed, except those mandated by government requirements.

Certain applications using semiconductor products may involve potential risks of death, personal injury, or severe property or environmental damage ("Critical Applications").

TI SEMICONDUCTOR PRODUCTS ARE NOT DESIGNED, INTENDED, AUTHORIZED, OR WARRANTED TO BE SUITABLE FOR USE IN LIFE-SUPPORT APPLICATIONS, DEVICES OR SYSTEMS OR OTHER CRITICAL APPLICATIONS.

Inclusion of TI products in such applications is understood to be fully at the risk of the customer. Use of TI products in such applications requires the written approval of an appropriate TI officer. Questions concerning potential risk applications should be directed to TI through a local SC sales office.

In order to minimize risks associated with the customer's applications, adequate design and operating safeguards should be provided by the customer to minimize inherent or procedural hazards.

TI assumes no liability for applications assistance, customer product design, software performance, or infringement of patents or services described herein. Nor does TI warrant or represent that any license, either express or implied, is granted under any patent right, copyright, mask work right, or other intellectual property right of TI covering or relating to any combination, machine, or process in which such semiconductor products or services might be or are used.

IMPORTANT NOTICE

Texas Instruments and its subsidiaries (TI) reserve the right to make changes to their products or to discontinue any product or service without notice, and advise customers to obtain the latest version of relevant information to verify, before placing orders, that information being relied on is current and complete. All products are sold subject to the terms and conditions of sale supplied at the time of order acknowledgement, including those pertaining to warranty, patent infringement, and limitation of liability.

TI warrants performance of its semiconductor products to the specifications applicable at the time of sale in accordance with TI's standard warranty. Testing and other quality control techniques are utilized to the extent TI deems necessary to support this warranty. Specific testing of all parameters of each device is not necessarily performed, except those mandated by government requirements.

CERTAIN APPLICATIONS USING SEMICONDUCTOR PRODUCTS MAY INVOLVE POTENTIAL RISKS OF DEATH, PERSONAL INJURY, OR SEVERE PROPERTY OR ENVIRONMENTAL DAMAGE ("CRITICAL APPLICATIONS"). TI SEMICONDUCTOR PRODUCTS ARE NOT DESIGNED, AUTHORIZED, OR WARRANTED TO BE SUITABLE FOR USE IN LIFE-SUPPORT DEVICES OR SYSTEMS OR OTHER CRITICAL APPLICATIONS. INCLUSION OF TI PRODUCTS IN SUCH APPLICATIONS IS UNDERSTOOD TO BE FULLY AT THE CUSTOMER'S RISK.

In order to minimize risks associated with the customer's applications, adequate design and operating safeguards must be provided by the customer to minimize inherent or procedural hazards.

TI assumes no liability for applications assistance or customer product design. TI does not warrant or represent that any license, either express or implied, is granted under any patent right, copyright, mask work right, or other intellectual property right of TI covering or relating to any combination, machine, or process in which such semiconductor products or services might be or are used. TI's publication of information regarding any third party's products or services does not constitute TI's approval, warranty or endorsement thereof.