

## Features

- High intensity
- Wide viewing angle
- General purpose leads
- Reliable and rugged

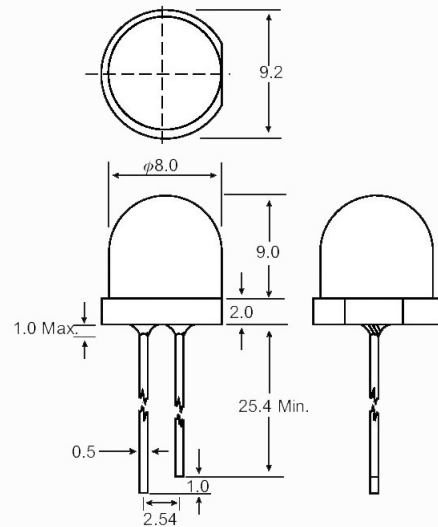
## Absolute Maximum Ratings at Ta=25°C

Parameter	Max.	Unit
Power Dissipation	100	mW
Peak Forward Current (1/10 Duty Cycle, 0.1ms Pulse Width)	100	mA
Continuous Forward Current	40	mA
Derating Linear From 50°C	0.4	mA / °C
Reverse Voltage	5	V
Operating Temperature Range	-40°C to +80°C	
Storage Temperature Range	-40°C to +80°C	
Lead Soldering Temperature [4mm(.157") From Body]	260°C for 5 Seconds	

### Notes:

1. All dimensions are in millimeters (inches).
2. Protruded resin under flange is 1.0mm (.04") max.
3. Lead spacing is measured where the leads emerge from the package.
4. Specifications are subject to change without notice.

## Package Dimensions



Unit: mm (inches)

Tolerance: ±0.25mm (.010") max

(Ta=25°C)

Part No.	Emitting Color	Lens Color	Peak Wavelength $\lambda_p$ (nm)	Vf (V) I <sub>f</sub> = 20mA (Note E1)		Iv (mcd) (Note E2)		Viewing Angle 2 $\theta_{1/2}$ (Deg) (Note E3)
				Min	Typ	Min	Typ	
EL-48R541-BS	Red	Red Diffused	660	1.6	1.8	230	550	45
EL-48G541-BS	Green	Green Diffused	568	1.7	2.2	45	130	45
EL-48Y541-BS	Yellow	Yellow Diffused	588	1.7	2.0	220	500	45
EL-48O541-BS	Orange	Orange Diffused	610	1.7	2.1	200	450	45
EL-48R342-BS	Red	Water Clear	660	1.6	1.8	180	850	30
EL-48G342-BS	Green	Water Clear	568	1.7	2.2	150	400	30
EL-48Y342-BS	Yellow	Water Clear	588	1.7	2.0	350	900	30
EL-48O342-BS	Orange	Water Clear	610	1.7	2.1	180	450	30
EL-48R343-BS	Red	Red Transparent	660	1.6	1.8	150	850	30
EL-48G343-BS	Green	Green Transparent	568	1.7	2.2	120	400	30
EL-48Y343-BS	Yellow	Yellow Transparent	588	1.7	2.0	300	900	30

### Parameter

Luminous Intensity

Viewing Angle

Peak Emission Wavelength

Dominant Wavelength

Spectral Line Half-Width

Forward Voltage

Reverse Current

### Test Condition

I<sub>f</sub> = 20mA (Note E1. Luminous intensity is measured with a light sensor and filter combination that approximates the CIE eye-response curve.)

(Note E2.  $\theta_{1/2}$  is the off-axis angle at which the luminous intensity is half the axial luminous intensity.)

I<sub>f</sub> = 20mA

I<sub>f</sub> = 20mA (Note E3: The dominant wavelength ( $\lambda_d$ ) is derived from the CIE chromaticity diagram and represents the single wavelength which defines the color of the device.)

I<sub>f</sub> = 20mA

I<sub>f</sub> = 20mA

I<sub>f</sub> = 20mA

**Elite Enterprises (H.K.) Co., Ltd.**

Flat 2307, 23/F., Paul Y. Centre, 51 Hung To Road, Kwun Tong, H.K.

Tel: (852) 2723-3122 Fax: (852) 2723-3990 Email: [info@elite-ent.com.hk](mailto:info@elite-ent.com.hk)

5mm Flangeless, Super-Bright Type