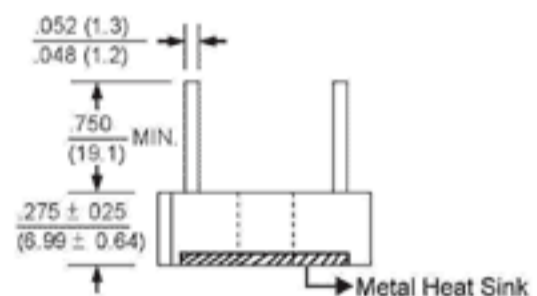
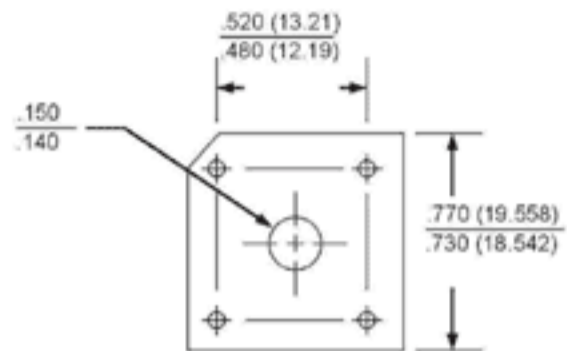


SINGLE-PHASE SILICON BRIDGE

REVERSE VOLTAGE - 50 to 1000 Volts
 FORWARD CURRENT - 8.0 Amperes

FEATURES

- Surge overload rating - 170 amperes peak
- Low forward voltage drop
- Small size; simple installation
- Silver Plated Copper Leads
- Mounting Position: Any
- Case: Molded plastic with Heatsink internally mounted in the bridge encapsulation



Polarity shown on side of case:
 positive lead by beveled corner.

Dimensions in inches and (millimeters)

MAXIMUM RATINGS AND ELECTRICAL CHARACTERISTICS

Rating at 25°C ambient temperature unless otherwise specified.
 For capacitive load, derate current by 20%

CHARACTERISTICS	MP8005	MP801	MP802	MP804	MP806	MP808	MP810	UNIT
Maximum Recurrent Peak Reverse Voltage	50	100	200	400	600	800	1000	V
Maximum RMS Bridge Input Voltage	35	70	140	280	420	560	700	V
Maximum Average Forward Rectified Output Current at $T_C=100^\circ\text{C}$ (Note 1) $T_A=40^\circ\text{C}$ (Note 2)							8.0 3.0	A
Peak Forward Surge Current, 8.3ms single half sine-wave super imposed on rated load							170	A
Maximum Forward Voltage Drop per Bridge Element at 4.0A Peak							1.0	V
Maximum Reverse Current at Rated DC Blocking Voltage per Element $T_A=25^\circ\text{C}$ $T_A=100^\circ\text{C}$							10.0 1.0	μA mA
Operating Temperature Range T_C							-40 to +125	°C
Storage Temperature Range T_A							-40 to +125	°C

NOTES: 1. Unit mounted on metal chassis
 2. Unit mounted on P.C. board